

## PTi 150/220...240 I

---

POWERTRONIC INTELLIGENT I | ECG for HID lamps, with cable clamp



- Shop lighting
- Health and fitness areas
- Effect and accent lighting

### Product benefits

---

- Extended terminal section enables mains looping
- Screw-down cable clamps for reliable strain relief
- Long reliable life at maximum permitted temperatures
- Automatic safety shutdown of lamps in the event of a defect or at end of life (EoL)

### Product features

---

- Energy Efficiency Index EEI: A2
- Supply voltage: 220...240 V
- Line frequency: 50...60 Hz
- RI suppression: to EN 55015/CISPR 15
- Safety: to EN 61347-2-12
- Line harmonics: to EN 61000-3-2
- Immunity: to EN 61547

## Technical data

### Electrical data

System wattage	160 W
Lamp wattage	147 W
ECG efficiency	92 %
Input voltage	220...240 V
Voltage range	198...254 V
Mains frequency	50...60 Hz
Line current	0.72 A <sup>1)</sup>
Power factor $\lambda$	0.95 <sup>2)</sup>
Inrush current	70 A <sup>3)</sup>
Max. no. of ECGs on circuit breaker 10 A	4 <sup>4)</sup>
Max. no. of ECGs on circuit breaker 16 A	7 <sup>4)</sup>
Max. no. of ECGs on 16A MCB with EBN-OS	17 <sup>4)</sup>
Protective conductor current	0.4 mA
Operating frequency	0.165 kHz
U-OUT	250 V
Max. working voltage between LH and LL	250 V
Max. working voltage betw. LL/LH & earth	250 V
Max. capacitance of wire ECG/lamp	120 pF
Ignition voltage	4.5 kVp

<sup>1)</sup> At 230 V<sub>AC</sub>

<sup>2)</sup> Minimum

<sup>3)</sup>  $t_{width} = 250 \mu s$  (measured at 50 %  $I_{peak}$ )

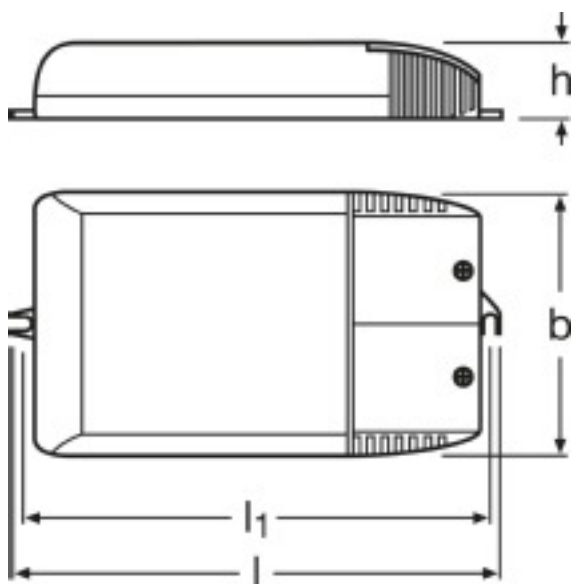
<sup>4)</sup> Type B

### Dimensions & weight

Cable cross-section, input side	0.75...2.5 mm <sup>2</sup>
Cable cross-section, output side	0.75...2.5 mm <sup>2</sup>
Wire preparation length, input side	10...11 mm
Wire preparation length, output side	10...11 mm
Length	195.0 mm
Width	93.0 mm
Height	33.0 mm

**Dimensions & weight**

Mounting hole spacing, length	203.0 mm
Product weight	420.00 g



Product line drawing with letters

**Colors & materials**

Casing material	Plastic
-----------------	---------

**Temperatures**

Ambient temperature range	-25...+50 °C
Maximum temperature at tc test point	75 °C

**Lifespan**

ECG lifetime	40000 h <sup>1)</sup>
--------------	-----------------------

<sup>1)</sup> At maximum T<sub>c</sub> / 10 % failure rate

**Additional product data**

<b>Design / version</b>	With cable clamp
<b>System guarantee level</b>	3c

**Capabilities**

<b>Overheating protection</b>	Power reduction and switch off at $T > 75\text{ °C}$ at the tc point
<b>ECG reset time</b>	> 0.5 s
<b>Maximum wiring length ECG/lamp</b>	1.5 m
<b>Cable types, input side</b>	NYM-J 3x1.5 / NYM-J 3x2.5 / H05VV-F 3x1.5 / NHXMH-J 3x1.5 mm <sup>2</sup>
<b>Cable types, output side</b>	SIHF-J 3x1.5 / SIHF-J 3x2.5 / SIHSI 3x1.0 mm <sup>2</sup>
<b>Dimmable</b>	No
<b>Restriction on ignition time</b>	20 min
<b>Suitable for fixtures with prot. class</b>	I

**Certificates & standards**

<b>Approval marks – approval</b>	ENEC 10 / VDE / VDE-EMC / GHOST / C-Tick
<b>EEL – Energy Label</b>	A2
<b>Standards</b>	acc. to EN 61347-2-12 / acc. to EN 55015 / acc. to EN 61000-3-2 / acc. to EN 61547 / acc. to EN 62493



*Guarantee*

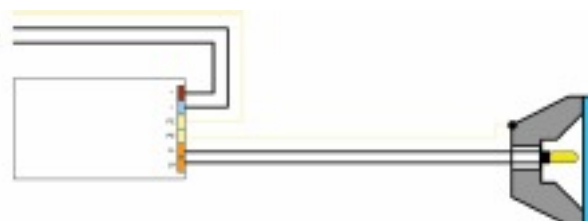


*Guarantee*

## Equipment / Accessories

---

- Precabled versions available on request



*Wiring diagram*

**Logistical Data**

Product code	Packaging unit (Pieces/Unit)	Dimensions (height x width x length)	Gross weight	Volume
4008321915535	Unpacked 1	33 mm x 91 mm x 205 mm	415.20 g	0.62 dm <sup>3</sup>
4008321915542	Shipping carton box 20	453 mm x 100 mm x 488 mm	9440.00 g	22.11 dm <sup>3</sup>

## Disclaimer

---

Subject to change without notice. Errors and omission excepted. Always make sure to use the most recent release.