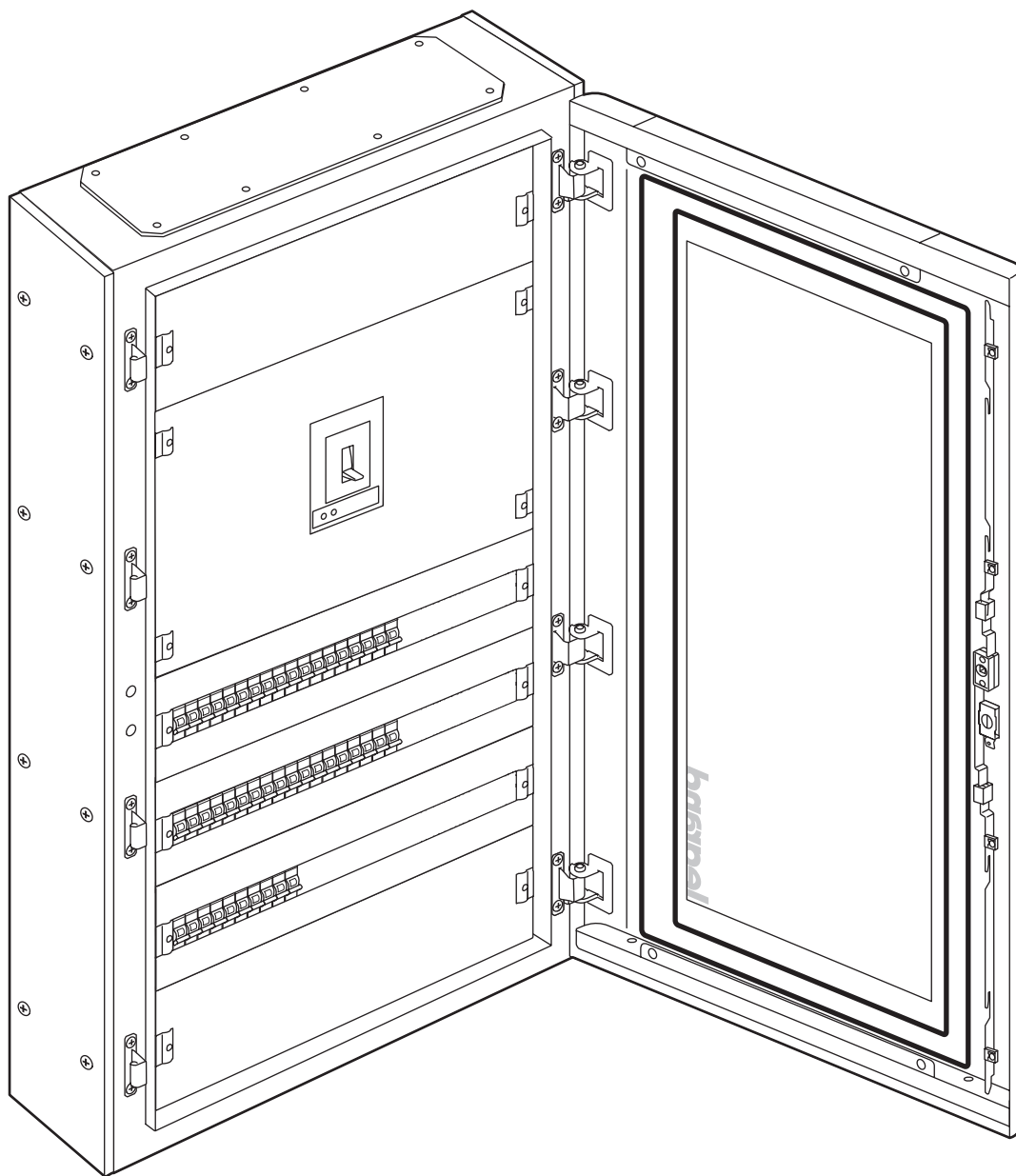
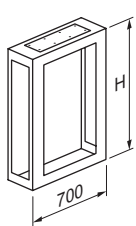
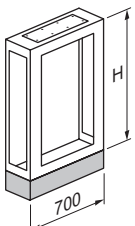
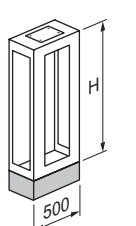
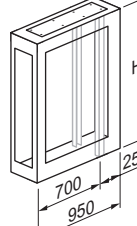
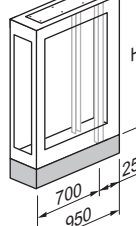
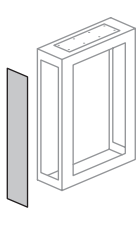
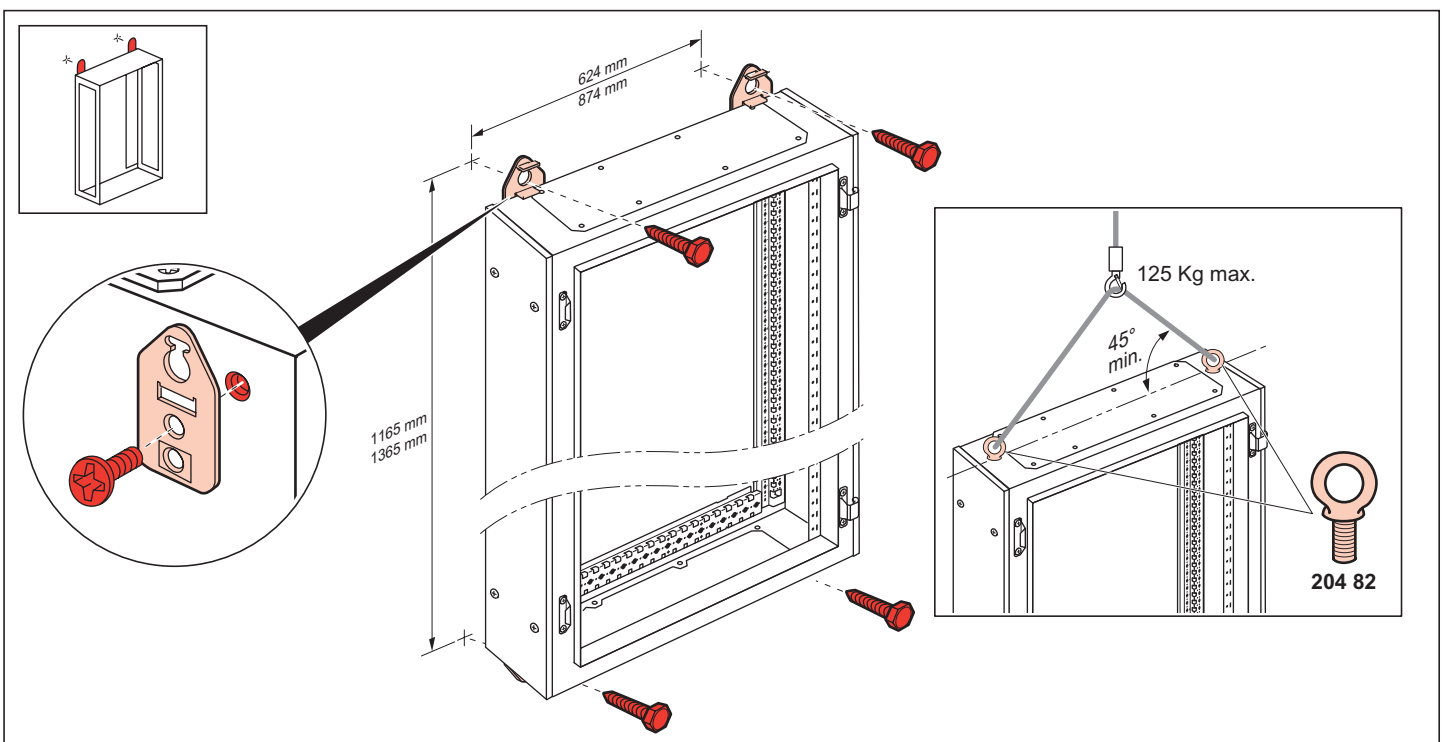
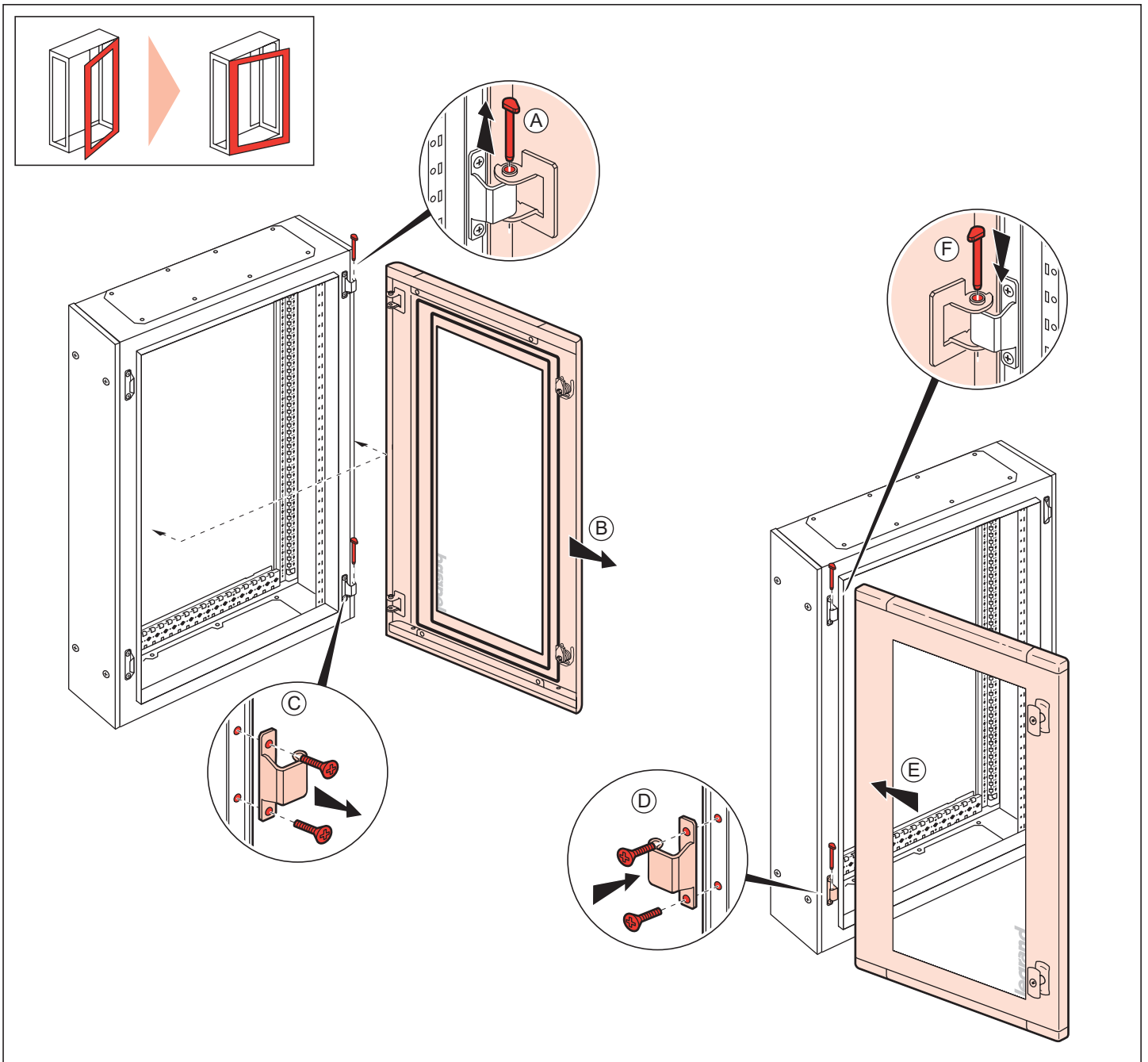
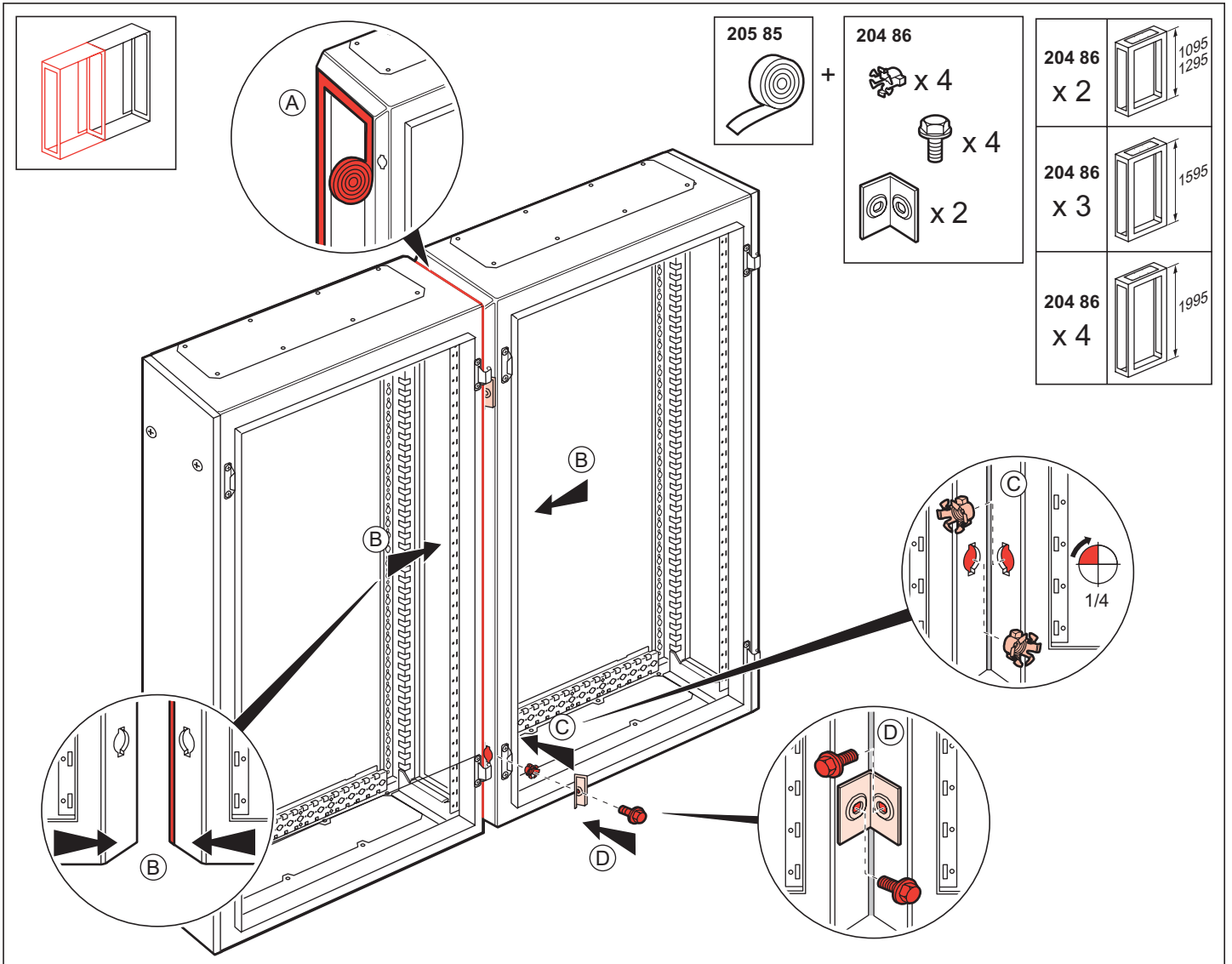
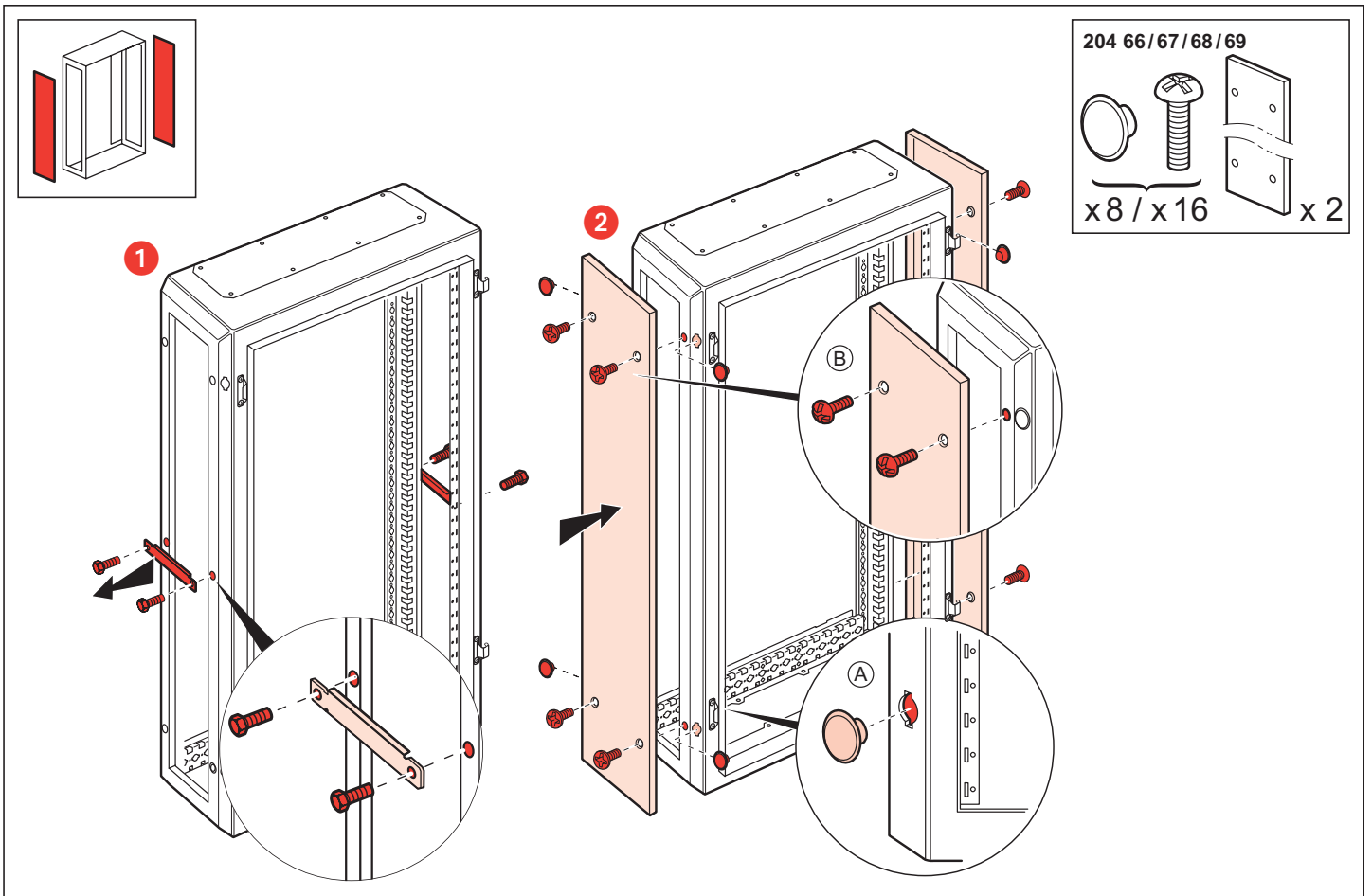


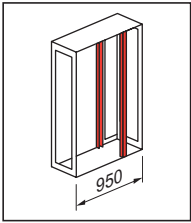
IP 55



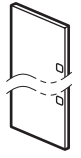
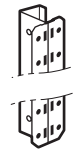
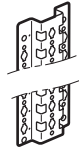
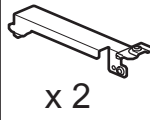
											
H (mm)	art.	H (mm)	art.	H (mm)	art.	H (mm)	art.	H (mm)	art.	H (mm)	art.
1095	20451					1095	20456			1095	20466
1295	20452					1295	20457			1295	20467
		1595	20453	1595	20473			1595	20458	1595	20468
		1995	20454	1995	20474			1995	20459	1995	20469



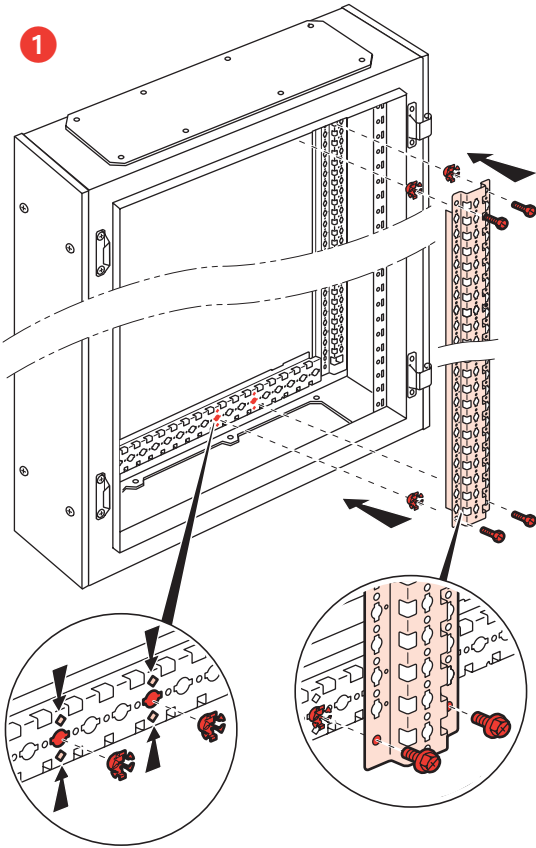




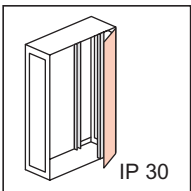
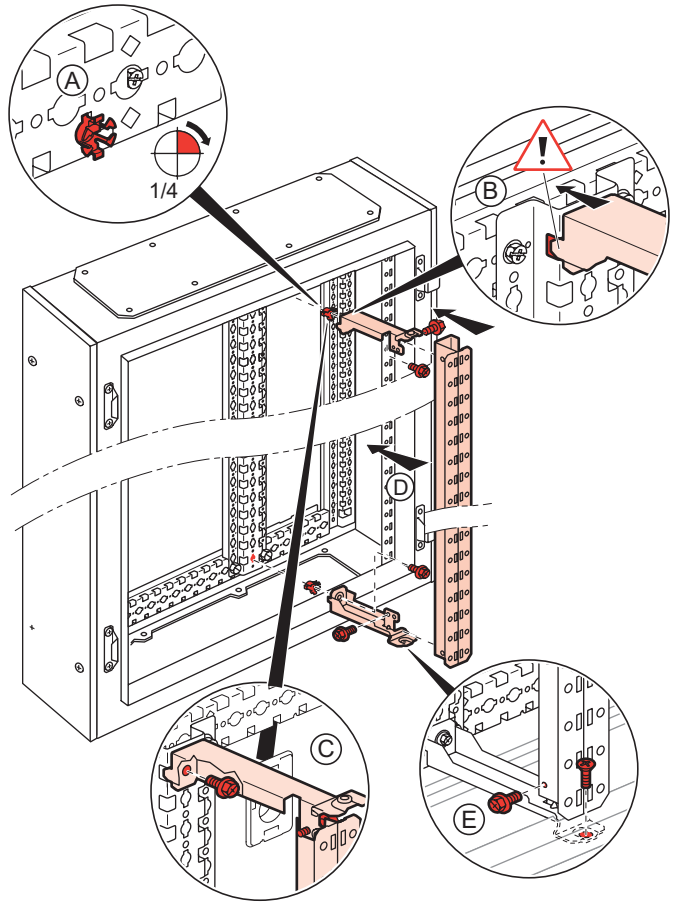
204 26/27/28/29



1



2



204 46/47/48/49

